

UNDER CABINET LIGHTING

2,700K - 6,000K LEDs
LINE VOLTAGE, DIMMABLE

LUL-08 SERIES
cETLus LISTED

Product Description

LUL-08 Series Puck Light has 10 super bright LEDs and can be recessed or surface mounted in any direction. It's Line voltage, high performing, easy to install puck lights and offer over 150 lumens per puck without the need for a driver.

Features

- Line voltage, no transformer or driver required
- Dimmable with most wall/box dimmers
- Link up to 20 pucks to a single power supply
- The fitting is supplied with a collar and can be either surface or recess mounted
- Designer Looks, Affordable Price-Tag
- 90+ CRI, the absolute best in the industry
- Save 80% in energy costs compared to equivalent 20-watt xenon puck light
- cETLus listed

Construction

Housing: Heavy Duty, Hard Durable Plastic
Lens: Clear Glass

Finish

Available in White / Black / Stain Nickel / Bronze

Electrical

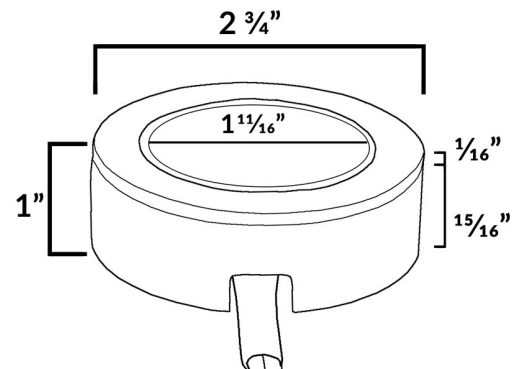
This unit is wired for 120V operation. This LED fixture contains a Triac dimmable driver. Dimmable with most standard wall dimmers. On/off switch included.

Lamping

LED's are 2,700K-6,000K non-replaceable. Rated for 30,000 hrs. 90+ CRI.

Certification

cETLus listed for dry locations.



The following accessories are included with each fixture:

Single puck kits include:

- (1) 6' power cord with roll switch
- (1) pucks with 6" lead wire and mounting screws

Three puck kits include:

- (1) 6' power cord with roll switch
- (2) pucks with 6" lead wire and 6" tail wire
- (1) puck with a 6" lead wire
- (2) 12" linking cables and mounting screws

Recommended Locations



Specifications and dimensions subject to change without notice.

Specifications

Code	Input Power	Watt	Lumens	CRI	Color Temperature	Dimensions
LUL-08	120V	4W	150-200	90+	3,000K-6,000K	Φ 2 3/4" X 1"