

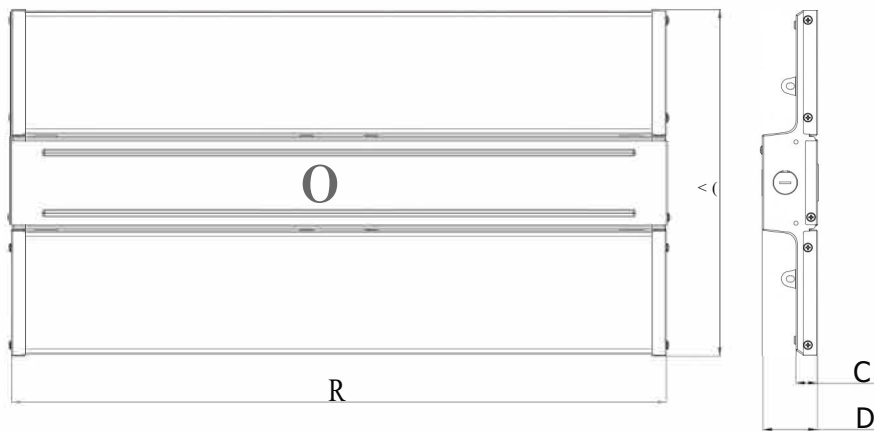
# LED Linear High Bay



## Product Features

1. ULus & FCC listed; With LM79 & LM80;
2. 2ft:11 OW MAX & 220W MAX available; 4ft: 225W MAX & 300W MAX available;
3. High luminous efficacy 130lm/w;
4. High quality non-isolated driver; 1-1 OV dimming; Flicker free;
5. PF >0.90, driver efficiency>87%;THD<20%;
6. Installation: chain mounting;
7. Suitable for dry/damp location;
8. Designed for warehouses, gymnasiums, and industrial spaces;
9. CCT: 4000K & 5000K & 5700K;
10. Five years warranty.

## Product Dimension

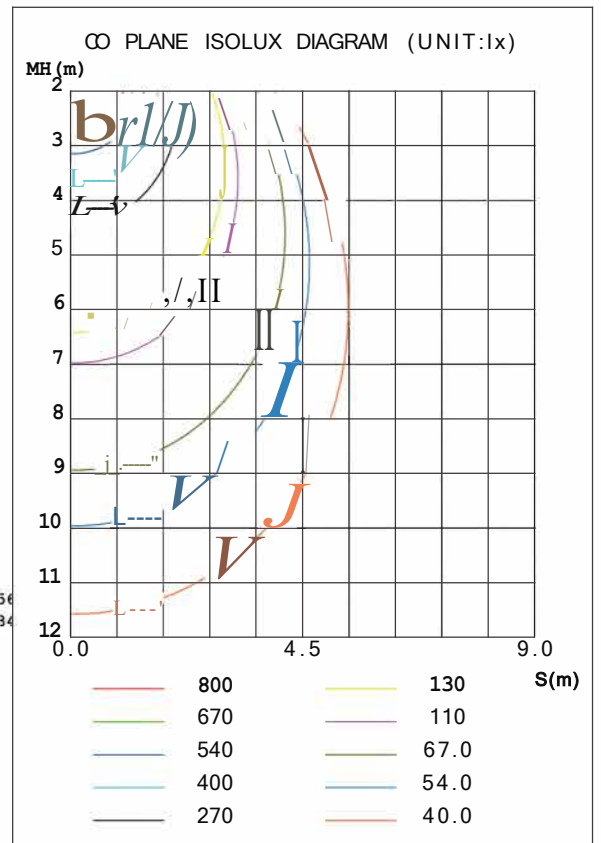
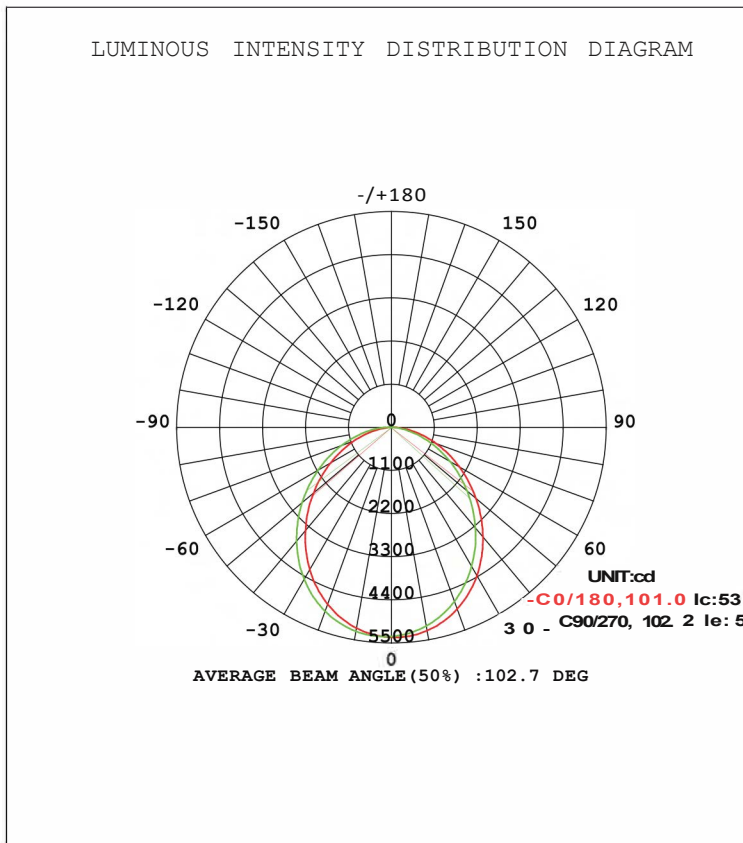


Part No.	A	B	C	D
TS-FHB1-80W	9.60"	23.83"	0.79"	1.97"
TS-FHB1-11 OW				
TS-FHB2-165W	12.60"	23.83"	0.79"	1.97"
TS-FHB3-220W	17.32"	23.83"	0.79"	1.97"
TS-FHB5-225W	12.60"	45.98"	0.79"	1.97"
TS-FHB5-300W				

# Specification

Name	Size	Part No.	Power	Input Voltage	Input Current	PF	Light Efficacy	CCT	Ra	
Linear high bay	2FT	TS-FHB1-80W-X-XXK	80W MAX	AC120-277V AC120-347V	0.734A	>0.9	130lm/W	4000K 5000K 5700K	80	
		TS-FHB1-110W-X-XXK	110W MAX		1.009A					
		TS-FHB2-165W-X-XXK	165W MAX		1.513A					
		TS-FHB3-220W-X-XXK	220W MAX		2.017A					
	4FT	TS-FHB5-225W-X-XXK	225W MAX	2.063A						
		TS-FHB5-300W-X-XXK	300W MAX	2.750A						
	2FT	TS-FHB2-165W-X-HV-XXK	165W MAX	AC347-480V	0.524A					
		4FT	TS-FHB5-225W-X-HV-XXK		225W MAX					0.714A
			TS-FHB5-300W-X-HV-XXK		300W MAX					0.951A

# Testing Report

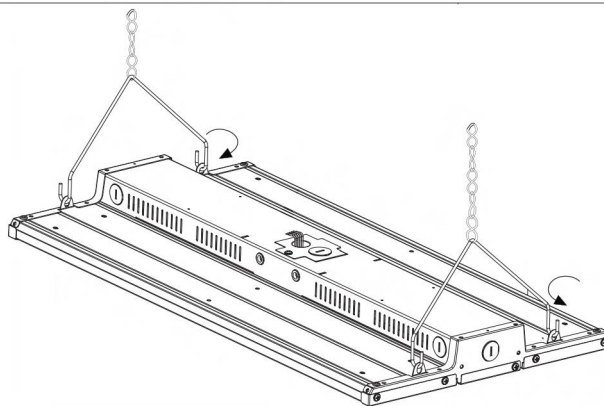


## Chain Installation

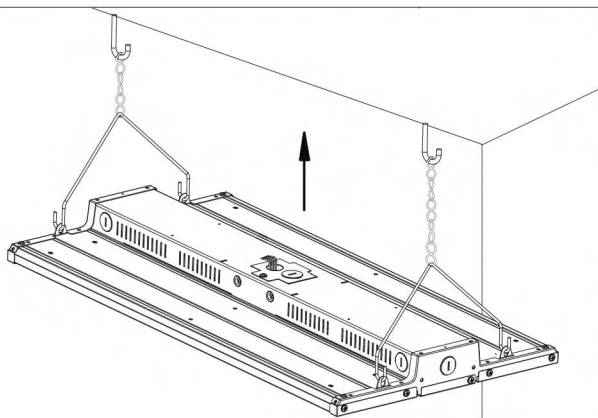
1. Hook the chain as below pic.



2. Insert the hook into the slotted holes, as shown below.

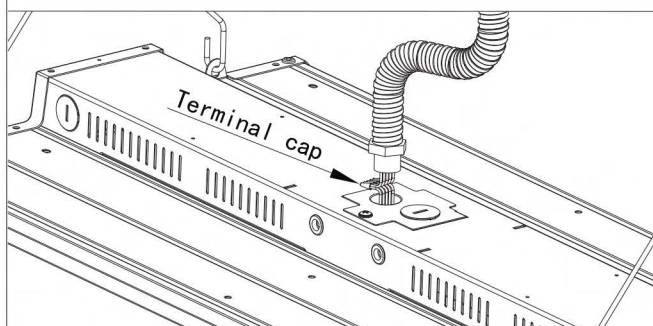


3. Hook up the chain on the ceiling anchor.

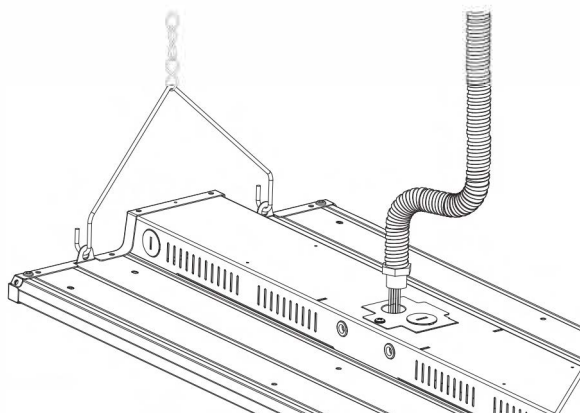


4. Turn off power and make wiring connections with terminal cap (see wiring instruction below).

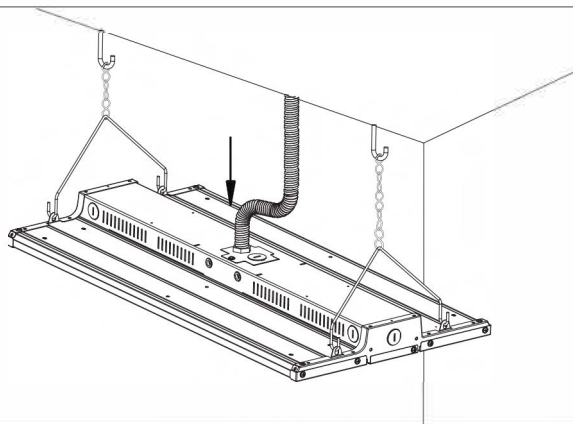
50 CE			GREY (DIM-)	DIMMING
120-277V	[AC-IN (N/WHITE)]	FIXTRUE		
120-347V			PURPEL (DIM+)	
347-480V	GREEN (GRD)			



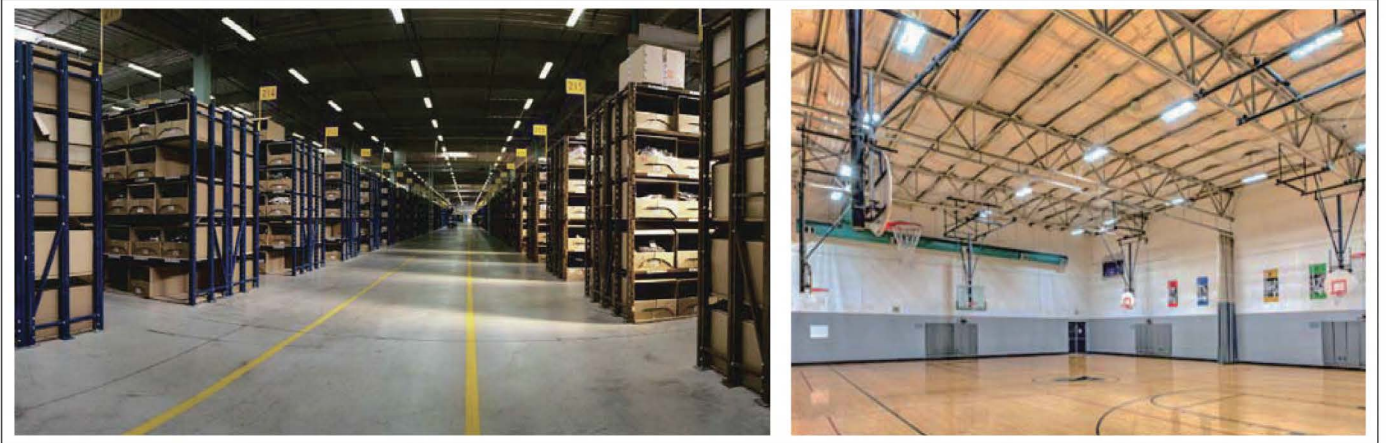
5. Insert the terminal cap and wires into the driver box.



6. Insert the wire terminal joint to the wire entry. Installation completed.



## Applications



## Packing /weight

Part NO.	Outer Carton Size (LxWxH)	Qty/Carton (pcs)	Net weight (lbs)	Gross weight (lbs)
TS-FHB1-80W	(26.0"*14. 2"*12.6") {660*360*320mm}	4	27.4	31.4
TS-FHB1-110W	(26.0"*14.2"*12.6") {660*360*320mm}	4	27.4	31.4
TS-FHB2-165W	(26.0"*14. 2"*15. 75") {660*360*400mm}	4	36.2	40.6
TS-FHB3-220W	(26.0"*14. 2"*20.4 7") {660*360*520mm}	4	42.8	47.7
TS-FHB5-225W	(48.0"*7.32"*15. 75") (1220*186*400mm)	2	26.1	31.1
TS-FHB5-300W	(48.0"*7.32"*15. 75") (1220*186*400mm)	2	28.3	33.3

## Note

- 1.The installation and maintenance must be completed by electricians or professionals.
- 2.Please cut off the power before installation and maintenance.
- 3.The thermally insulating material is not allowed to cover the fixture.
- 4.Please keep away from the corrosive substance, and keep the fixture dry and clean.
- 5.Working temperature: -4 ° F- 122 ° F, storage temperature: -22 ° F- 140 ° F.