

LED SHOEBOX LIGHT

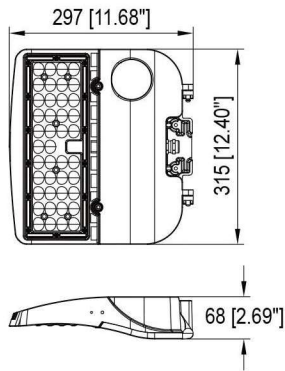


Product Features

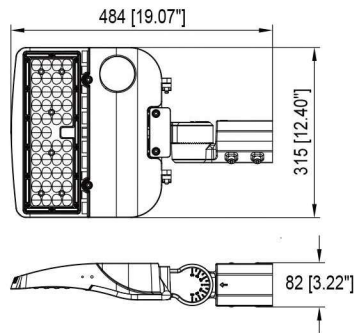
- 1.High efficiency LED Driver, the wide range input voltage AC100-347V(0-10Vdc Dimmer)
- 2.Seoul LED high luminous efficiency and long life.
- 3.Cast aluminium design, better cooling and easy replacement, light quality, LEDTj<185°F.
- 4.Excellent optical design, greatly improve the light utilization and evenness.
- 5.Photocell Control Available (Option).

Product Dimension

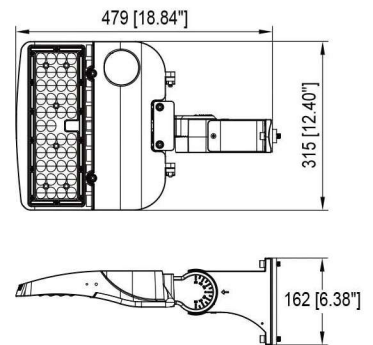
100W&150W



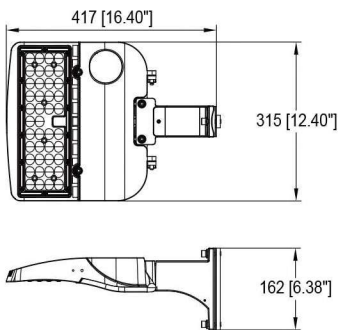
TYPE A



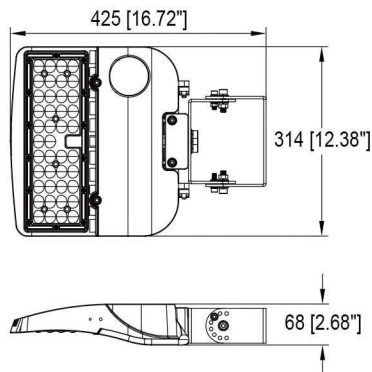
TYPE B



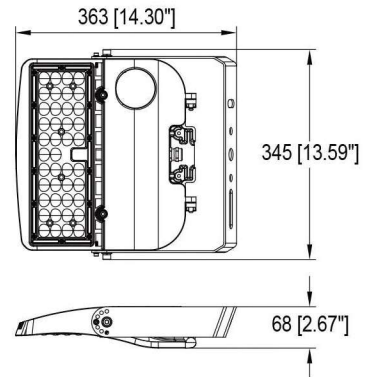
TYPE C



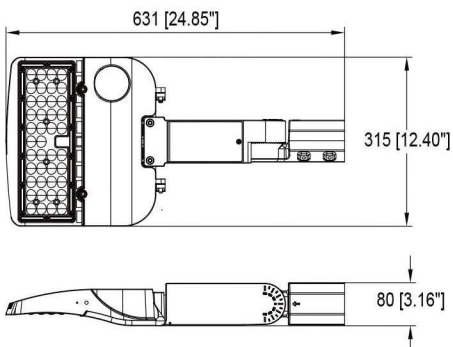
TYPE D



TYPE E



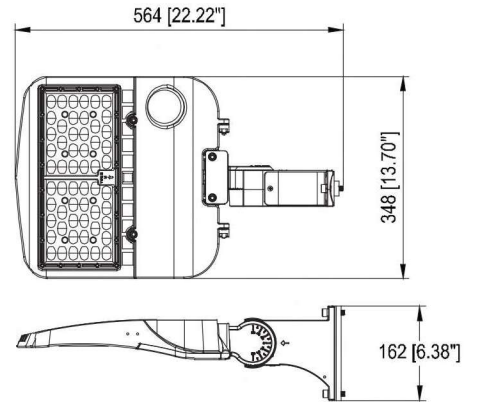
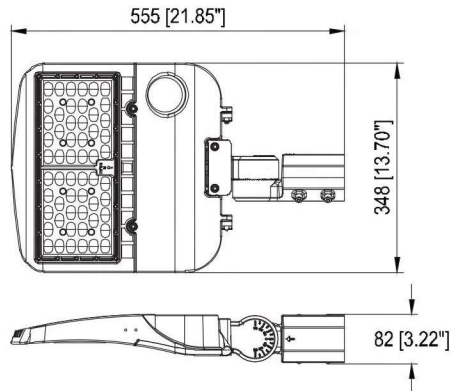
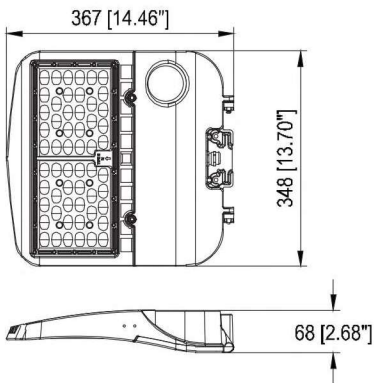
TYPE F



200W

TYPE A

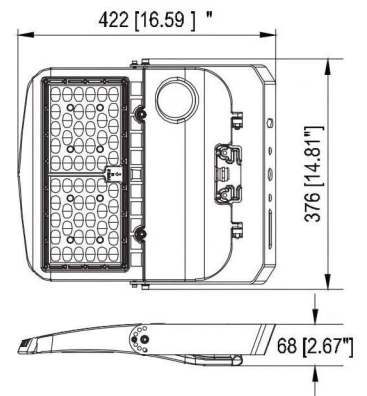
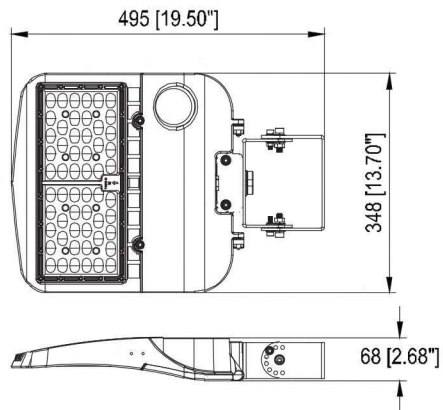
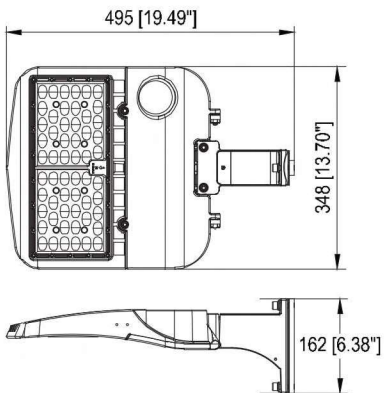
TYPE B



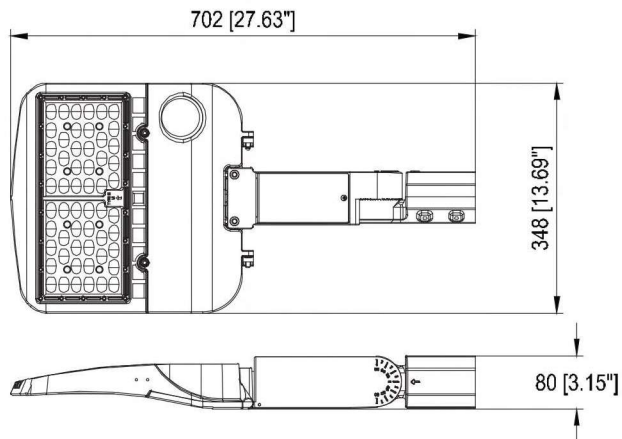
TYPE C

TYPE D

TYPE E

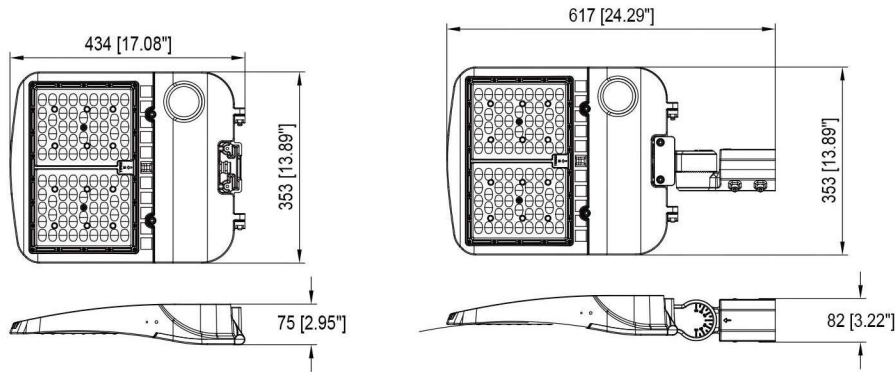


TYPE F

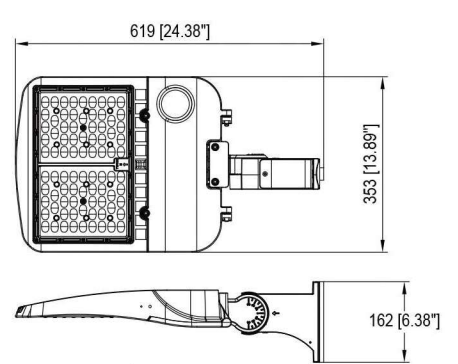


240W&300W

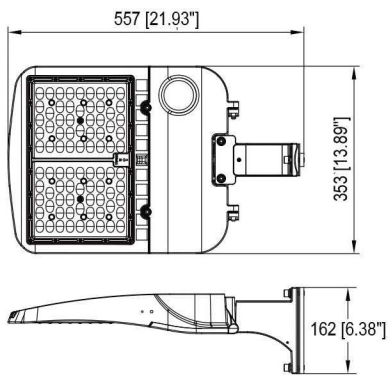
TYPE A



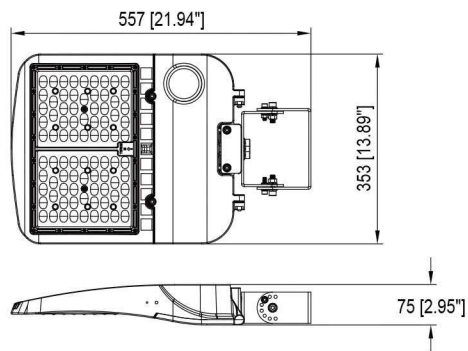
TYPE B



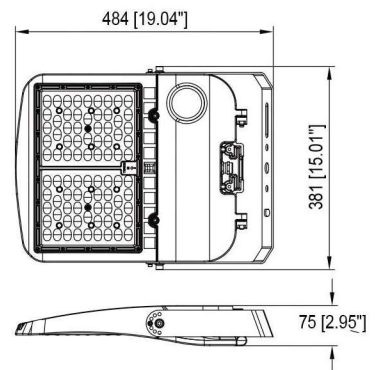
TYPE C



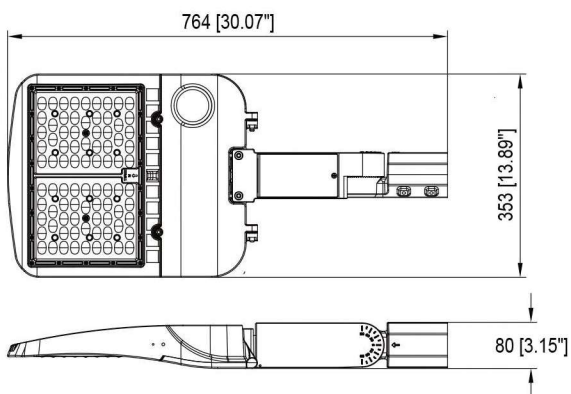
TYPE D



TYPE E



TYPE F



Lighting Parameters

Part No.	Input Voltage	Frequency	Power	Rated Current
TS-XX0410-100W-X-XXK(XXX)	AC100-277V	50/60Hz	100W	1.1A
TS-XX0415-150W-X-XXK(XXX)			150W	1.65A
TS-XX0420-200W-X-XXK(XXX)			200W	2.2A
TS-XX0424-240W-X-XXK(XXX)			250W	2.64A
TS-XX0330A-300W-X-XXK(XXX)			300W	3.3A
TS-XX0410-100W-X-MV-XXK(XXX)	AC100-347		100W	1.1A
TS-XX0415-150W-X-MV-XXK(XXX)			150W	1.65A
TS-XX0420-200W-X-MV-XXK(XXX)			200W	2.2A
TS-XX0424-240W-X-MV-XXK(XXX)			250W	2.64A
TS-XX0330A-300W-X-MV-XXK(XXX)			300W	3.3A







where X can be "H", "L" or "HY" (Y=number);

XXK can be any number for color temperature:40K,50K,57K,65K;

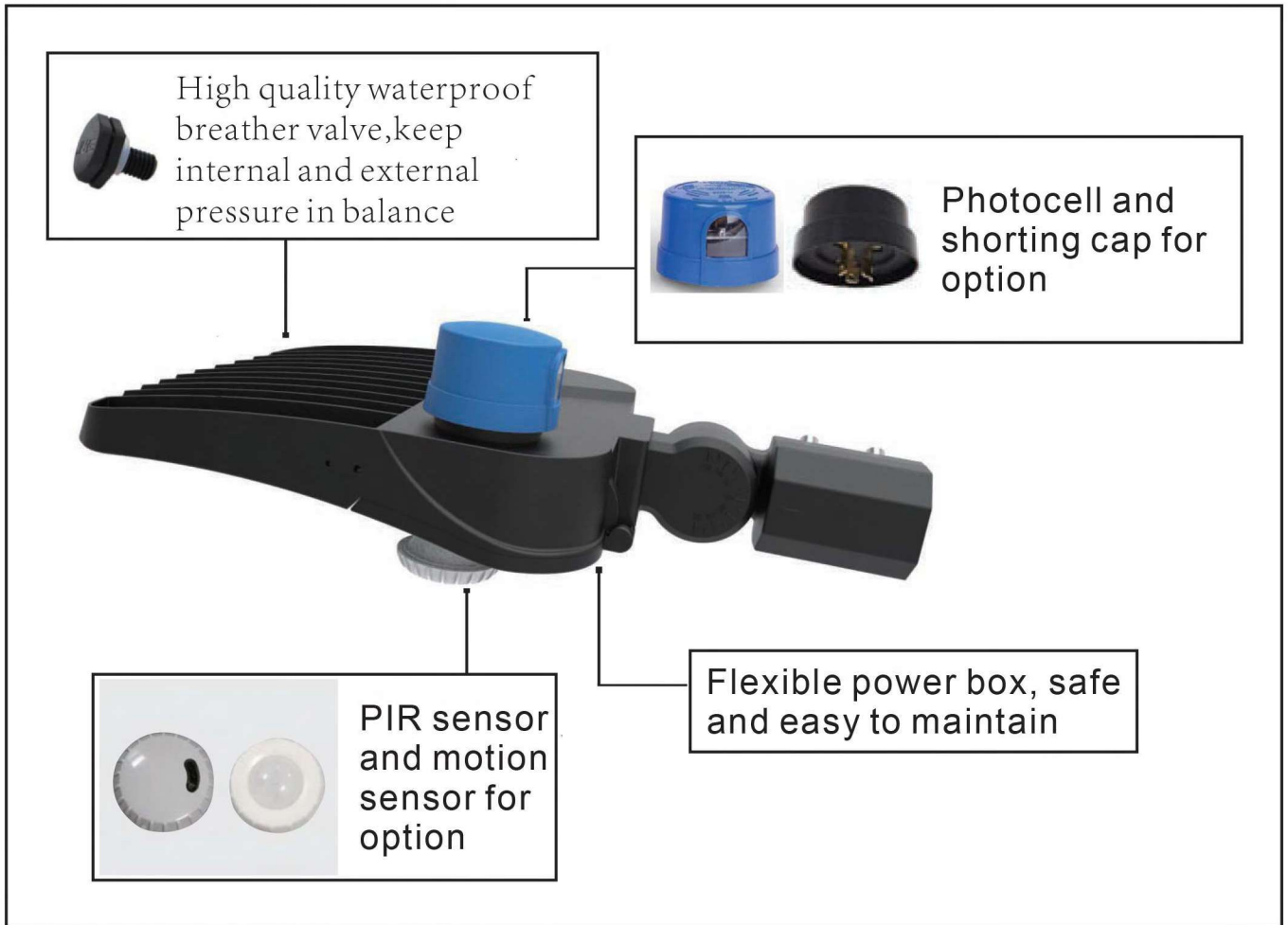
(XXX) can be blank = no sensor function, "PIR" = PIR sensor,"PTC" = Photocontrol;

"MS" = Microwave sensor, "PIP" = PIR sensor and Photocontrol

or "MSP" = Microwave sensor and Photocontrol.

Driver	Fahold	
Certificates	UL,CUL	
Lighting Angle	TYPE III-M / TYPE IV-S / TYPE V	
Lighting Efficiency	130 Lm/W	
Color Rendering Index	Ra>70	
Working Temperature	-40°F ~+122°F / -40°C ~ +40°C	
Storage Temperature	-40 °F ~+158 °F / -40°C ~ +70°C	
Environment Location	WET LOCATIONS	
Life span	>50000H	
Lamp shell	BROWN / BLACK	
Accessories options	Photocell;Shorting cap;Surge protector	
	PIR sensor;Motion sensor	
Accessories mounting brackets	TYPE A (Slip-fitter) 	TYPE B (Square/Round pole mount with slip-fitter function) 
	TYPE C (Square/Round pole mount) 	TYPE D (Trunnion) 
	TYPE E (Yoke) 	TYPE F 

Expansion function



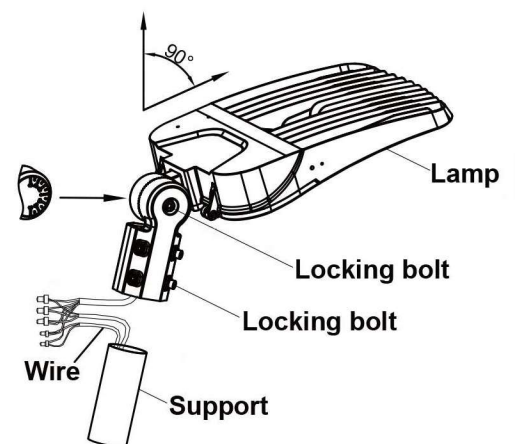
Installation Instruction

TYPE A(Slip-fitter)

Step 1: Loosen the 4 screws on the lamp holder, connect the wires correctly and put the wires into the lamp pole, then lock the screws well to fix the lamp on the lamp pole.

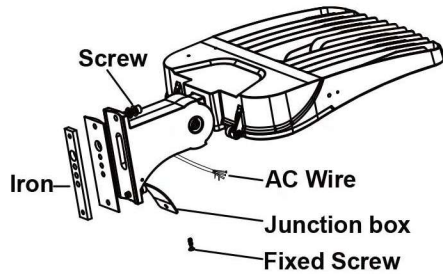
Step 2: Loosen the locking bolt with tools, rotate the lamp and lock the screw after determining required angle.

Notice: Locking bolt can be only compatible with a lamp pole that the outer diameter is $\phi 60$, lamp adjustable angle is $0-90^\circ$

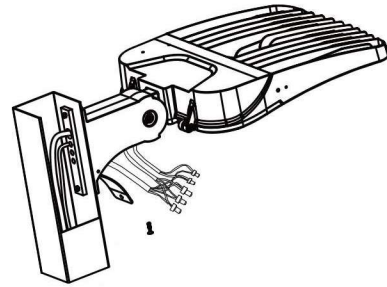


Installation Instruction

TYPE B (Square/Round pole mount with slip-fitter function)

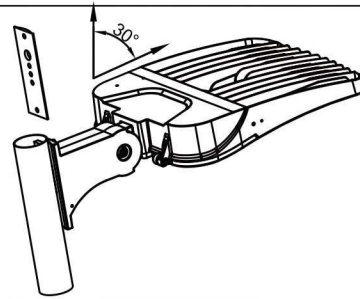


Step 1. Use tools to take screw apart and put installed iron bar away, remove fixed screw and open junction box, then pass the AC wire through it.

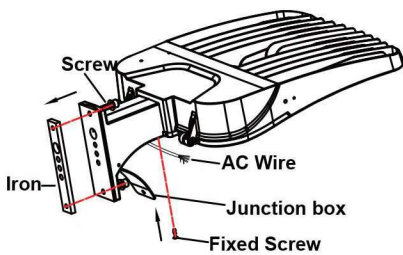


Step 2. Use tools to fix the lamp on square lamp pole, connect the wires correctly and make waterproof measures well, close the junction box and finish installation.

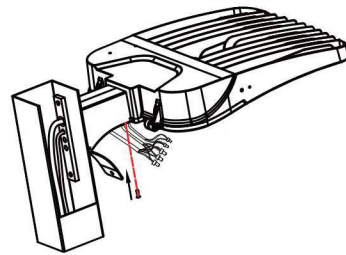
Step 3. Notice: Remove the rubber mat when the lamp is installed on round lamp pole
Notice: Lamp adjustable angle is 0-30°



TYPE C (Square/Round pole mount)

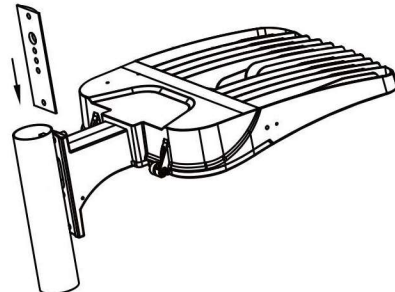


Step 1. Use tools to take screw apart and put installed iron bar away, remove fixed screw and open junction box, then pass the AC wire through it.



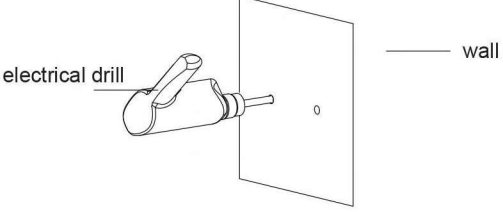
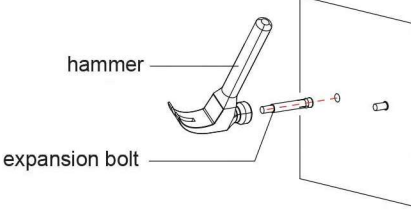
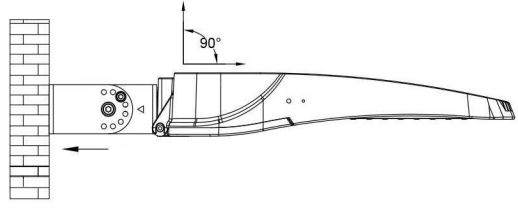
Step 2. Use tools to fix the lamp on square lamp pole, connect the wires correctly and make waterproof measures well, close the junction box and finish installation.

Notice: Remove the rubber mat when the lamp is installed on round lamp pole.

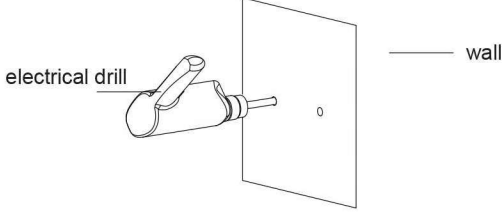
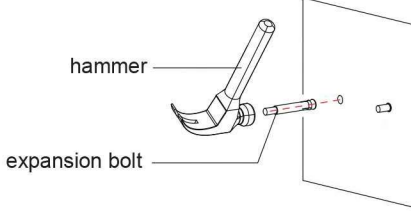
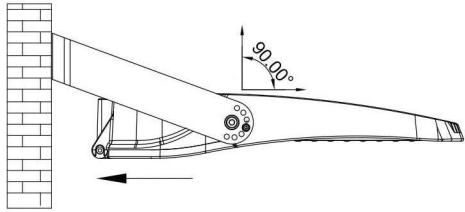


Installation Instruction

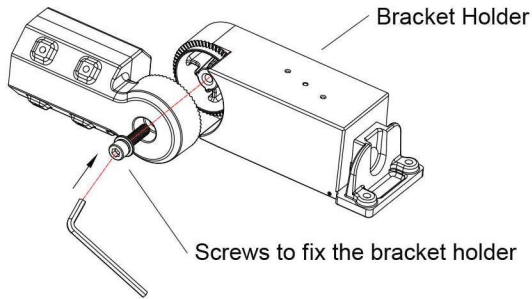
TYPE D(Trunnion)

 <p>Step 1. Mark the position of the fixing holes with foold lightbracket, then drill the fixing holes.</p>	 <p>Step 2. Input two expansion bolts.</p>
<p>Step 3: Waterproof measures must be taken after connecting the wire correctly, install the lamp well after putting the wires back into the trunking.</p> <p>Attention: Lamp adjustable angle is 0-90°</p> 	

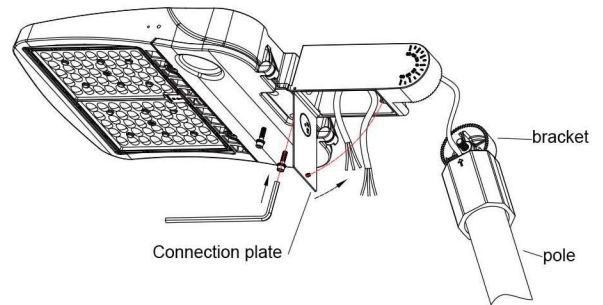
TYPE E(Yoke)

 <p>Step 1. Mark the position of the fixing holes with foold lightbracket, then drill the fixing holes.</p>	 <p>Step 2. Input two expansion bolts.</p>
 <p>Step 3: Waterproof measures must be taken after connecting the wire correctly, install the lamp well after putting the wires back into the trunking.</p> <p>Attention: Lamp adjustable angle is 0-90°</p>	

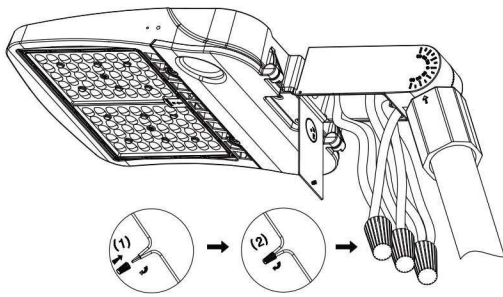
TYPE F



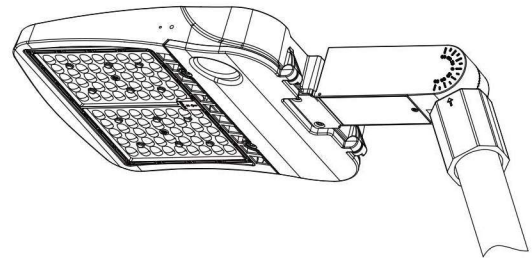
1. Use a wrench to loosen the fixing screws on the bracket, remove the bracket, and then use a screwdriver to remove the bracket wiring cover screws



2. fix the AC cable through the bracket to lock it on the lamp body; Fix the bracket on the pole after passing the AC wire through the bracket



3. Assembling the lamp body of the holder with the bracket, and lock the bracket fixing screws. Connect the wires according to the schematic diagram and also make waterproof treatment



4. Finally, lock the bracket wiring cover plate to complete the installation

Product Application



Packing / weight

Bracket	Outer box (L*W*H)	Qty/Ctn (pcs)	100W		150W		Remarks
			N.W/pcs (lbs/kg)	G.W/Ctn (lbs/kg)	N.W/pcs (lbs/kg)	G.W/Ctn (lbs/kg)	
TYPE A	20.3"*13.78"*4.88" (515*350*124mm)	1	11.2/5.1	13.2/6.0	11.9/5.4	13.9/6.3	1.0M cable
TYPE B		1	12.3/5.6	14.3/6.5	13.0/5.9	15.0/6.8	
TYPE C		1	10.8/4.9	12.8/5.8	11.5/5.2	13.4/6.1	
TYPE D		1	11.2/5.1	13.2/6.0	11.9/5.4	15.0/6.3	
TYPE E		1	10.4/4.7	12.3/5.6	11.0/5.0	13.0/5.9	

Bracket	Outer box (L*W*H)	Qty/Ctn (pcs)	200W		Remarks
			N.W/pcs (lbs/kg)	G.W/Ctn (lbs/kg)	
TYPE A	24.6"*15.75"*5.31" (630*403*145mm)	1	12.1/5.5	14.1/6.4	1.0M cable
TYPE B		1	13.2/6.0	15.2/6.9	
TYPE C		1	11.7/5.3	13.6/6.2	
TYPE D		1	12.1/5.5	41.1/6.4	
TYPE E		1	11.2/5.1	13.2/6.0	

	Outer box (L*W*H)	Qty/Ctn (pcs)	240W		300W		Remarks
			N.W/pcs (lbs/kg)	G.W/Ctn (lbs/kg)	N.W/pcs (lbs/kg)	G.W/Ctn (lbs/kg)	
TYPE A	27.1"*15.9"*5.3" (680*408*150mm)	1	15.4/7.0	17.6/8.0	16.5/7.5	18.7/8.5	1.0M cable
TYPE B		1	16.5/7.5	18.7/8.5	17.6/8.0	19.8/9	
TYPE C		1	15.0/6.8	17.2/7.8	16.1/7.3	18.3/8.3	
TYPE D		1	15.4/7.0	17.6/8.0	16.5/7.5	18.7/8.5	
TYPE E		1	14.6/6.6	16.8/7.6	15.7/7.1	17.9/8.1	

Safety Information

- Using the standard working voltage: AC100~347V, 50/60Hz, do not exceed.
- Be sure the power supply is turned off before installation.
- Switch off power of the mains supply or the connection lead respectively before doing any works.
- Please note waterproof, dustproof, electricity prevention and shockproof for the external power wires.
- Directly fix bolts on the installation stem through the hole on the mounting bracket.
- Be sure the connection between the wires is in good condition when install the lamps, beware of leakage.
- Please read the specification carefully before installation.
- The complete installation must be handled by an electrical expert.



Simply Retrofits

35 Kelfield St, Etobicoke M9W 5A3, Ontario, Canada

Tel: 905-581-9097, 647-614-4560

Email: Contact@simplyretrofits.com

www.simplyretrofits.com