

LED UFO HIGH BAY LIGHT



FEATURES

- Five step, super durable TGIC paint
- High Efficiency -140lumen per watt
- Aluminum alloy made heat sink
- Less dust accumulation
- Light weight
- Center-hollow design for installation of sensor
Or wireless control module
- Available for 3 types of fine-designed
PC lens features low glare



CERTIFICATION

cULus,

UL File No: E509908

Certified to CSA Std. C 22.2 No. 250.0

Confirms to UL Std. 1598

DLC 5.1 Listed



SPECIFICATIONS

Model No.	POWER	INPUT	CRI	POWER FACTOR	LUMEN	BEAM ANGLE	DIMABLE
QLC-UFO100W-UV-50-120	100W	100-277Vac	80Ra	>0.95	14,400 lm	120°	1-10V
QLC-UFO150W-UV-50-120	150W	100-277Vac	80Ra	>0.95	21,600 lm	120°	1-10V
QLC-UFO200W-UV-50-120	200W	100-277Vac	80Ra	>0.95	27,000 lm	120°	1-10V
QLC-UFO200W-CV-50-120	200W	120-347Vac	80Ra	>0.95	27,000 lm	120°	1-10V
QLC-UFO240W-UV-50-120	240W	100-277Vac	80Ra	>0.95	32,400 lm	120°	1-10V

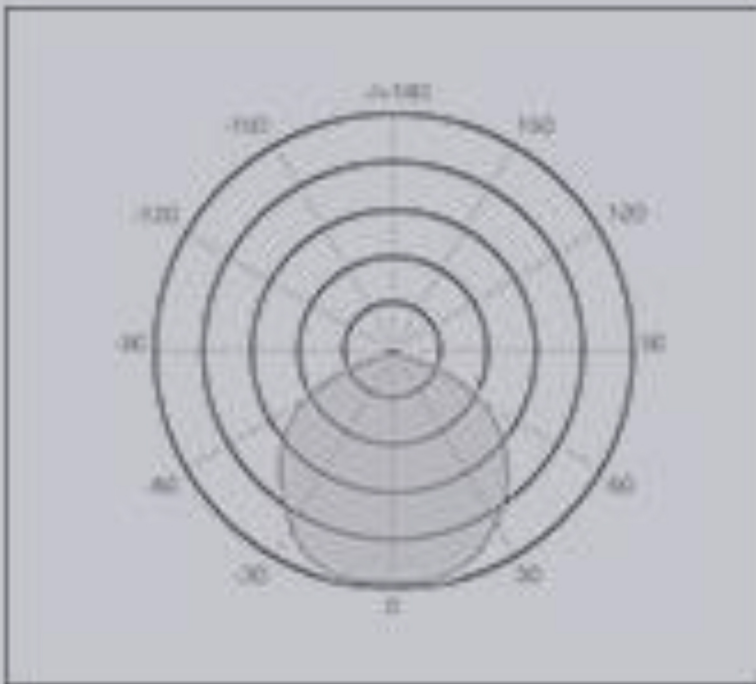
- **UV** represents 100-277Vac
- **CV** represents 120-347Vac
- **50** represents CCT 5000K
- **DD** represents beam angle of different lens or reflector, can be 60, 90 or 120
PC lens 60 degree, 90 degree, 120 degree or blank
AF or PF represents Aluminum reflector or PC reflector or blank
- Led brand: 2835 Cree Led
- Led driver: Sosen Driver

ENVIRONMENTAL

- **IP rating:** IP65
- **Working Temperature:** -40 - 50°C
- **Lifespan:** 50,000H at 50°C ambient temperature



OPTICAL



120°



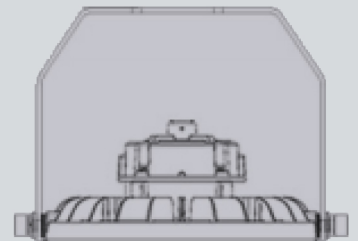
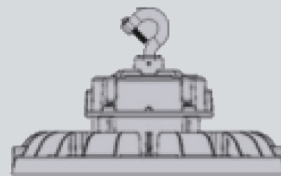
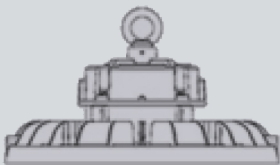
PC lens

APPLICATIONS

- Warehouses
- Convention centers
- Supermarkets,
- Gymnasium
- Workshops



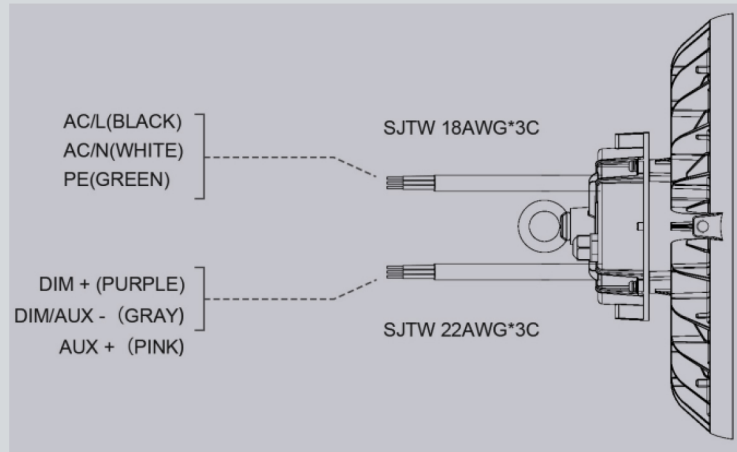
INSTALLATION METHODS



SAFETY PRECAUTIONS

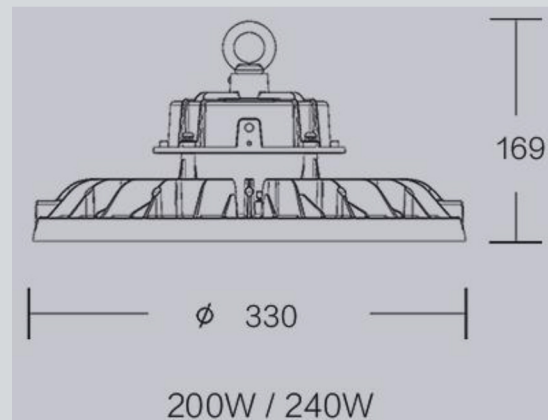
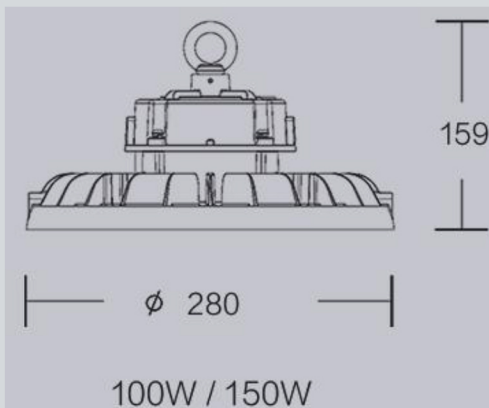
- Risk of fire or electric shock
- The led high bay installation requires knowledge of luminaries' electrical systems. If not qualified, do not attempt installation. Contact a qualified electrician.
- To prevent wiring damage or abrasion, do not expose wiring to edges of sheet metal or other shape objects.
- Disconnect power before installing the product or servicing it.
- Wait until fixture has cooled down before installing or servicing the fixture.

WIRING DIAGRAM



DIMENSIONS

Dimensions in mm



PACKING INFORMATION

MODEL No.	CARTON DIMENSION	QTY/CARTON	N.W	G.W
QLC-UFO100W-UV-50-DD	L330*W330*H135.5mm	1PC	4.7lbs	6.4lbs
QLC-UFO150W-UV-50-DD	L330*W330*H135.5mm	1PC	4.9lbs	6.6lbs
QLC-UFO200W-UV-50-DD	L395*W395*H160mm	1PC	6.4lbs	8.6lbs
QLC-UFO200W-CV-50-DD	L395*W395*H160mm	1PC	6.4lbs	8.6lbs
QLC-UFO240W-UV-50-DD	L395*W395*H160mm	1PC	6.6lbs	8.8lbs