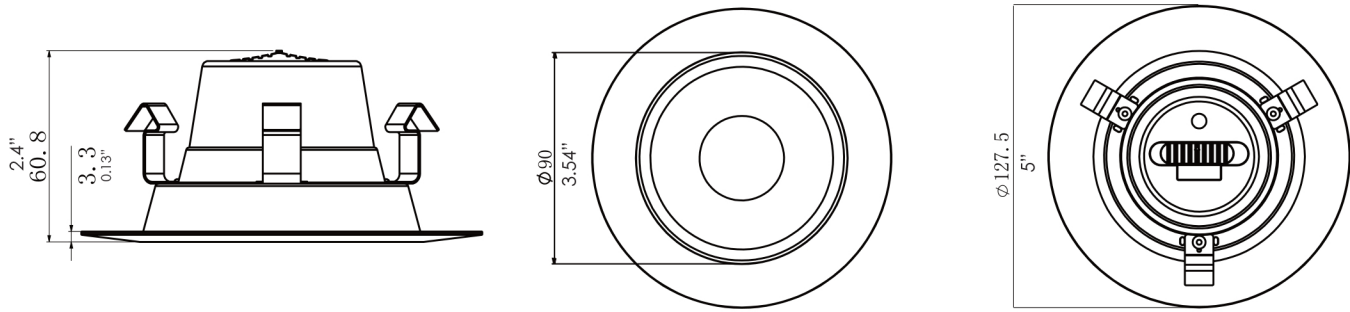
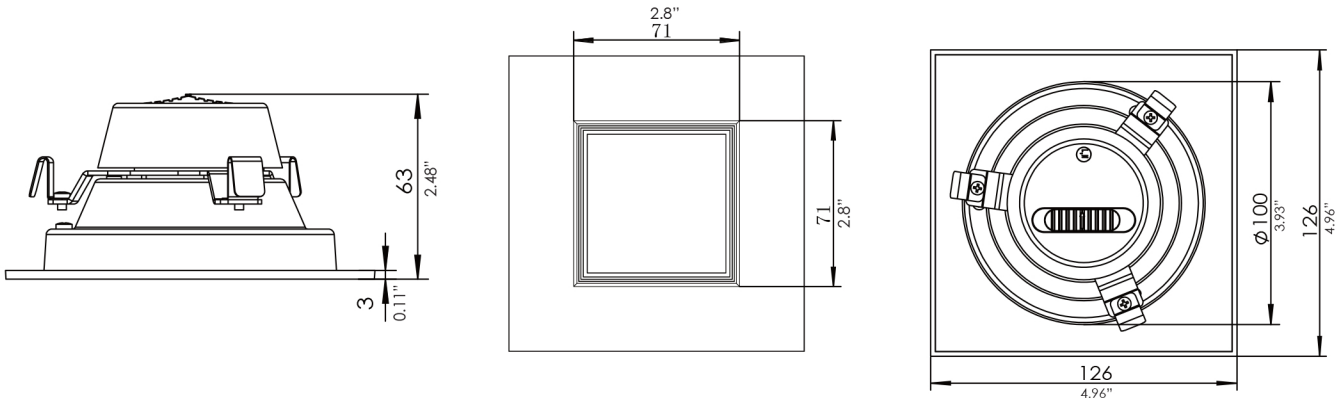


Dimensions

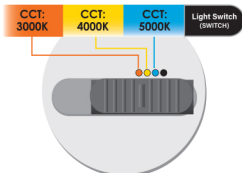


How to Select Your Light Color

Option 1:

Pick your favorite light color before installing

If you prefer just one color, select it on the fixture before installation.



Option 2:

Adjust your light color anytime with a regular wall light switch

Select SWITCH on the light fixture before installing and you can choose a light color by toggling your existing wall switch anytime you want.

