

LED VAPOR PROOF 2FT

PRODUCT DESCRIPTION

The Elakeview LED Vapor Proof is designed for environments where weather and/or dust resistant lighting application is required. Works perfectly for all commercial and industrial applications.



HIGHLIGHTS

- cUL & DLC Listed
- Efficacy-130LM/W
- AC120-347V Wide Input
- Wattage Selectable: 15W/20W/25W
- 3 Selectable CCT: 3500K/4000K/5000K
- Receptacle for Microwave Dimming Sensor (Sensor Sold Separately)
- Suitable for Damp Location
- Easy to Install and Operate
- Over 50,000 Hours Life Time
- Standard 5 Years Warranty



APPLICATIONS

Suitable to storage areas, farms, underground parking, food industry, painting industry, etc.

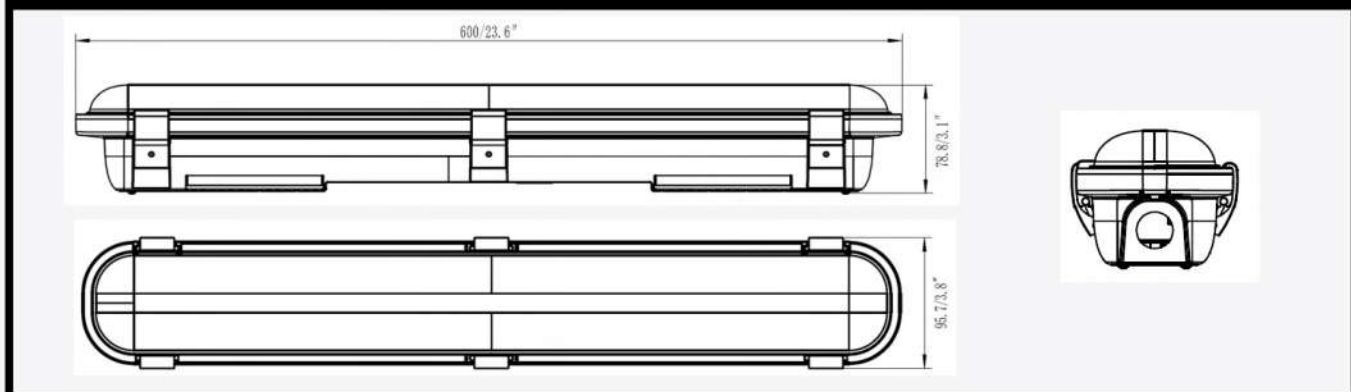
ORDERING INFORMATION

ORDER SKU	MODEL #	CERTIFICATIONS	INPUT VOLTAGE	POWER TUNABLE	EFFICACY (LMW)	DELIVERED LUMENS	3 CCT (K) TUNABLE	SIZE
900015UCCTW2FT	VP2FTUCCTW	DLC, cUL	AC120-347V	15W/20W/25W	130LMW	1950/2600/3250LM	3500/4000/5000K	2 FT
900015UCCTW4FT	VP4FTUCCTW	DLC, cUL	AC120-347V	34W/38W/45W	132LMW	4488/5016/5940LM	3500/4000/5000K	4 FT
900015UCCTW8FT	VP8FTUCCTW	DLC, cUL	AC120-347V	65W/75W/90W	132LMW	8580/9900/11880LM	3500/4000/5000K	8 FT

PRODUCT SPECIFICATIONS

POWER TUNABLE	SYSTEM EFFICACY	LUMENS	CCT (K) TUNABLE	CRI	VOLTAGE	POWER FREQ	DIMENSIONS (MM)	POWER FACTOR
15/20/25W	130LMW	1950/2600/3250LM	3500/4000/5000K	>80	120-347V	50/60HZ	600*95.7*78.8	>0.9

DIMENSIONS

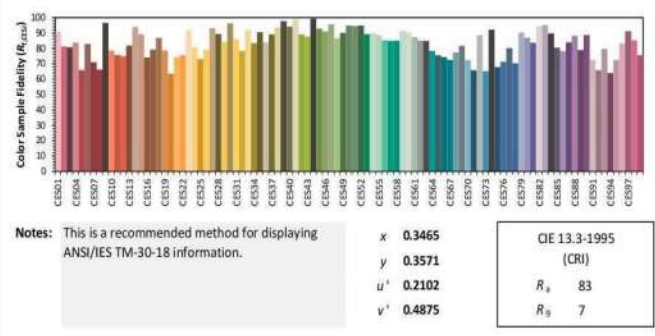
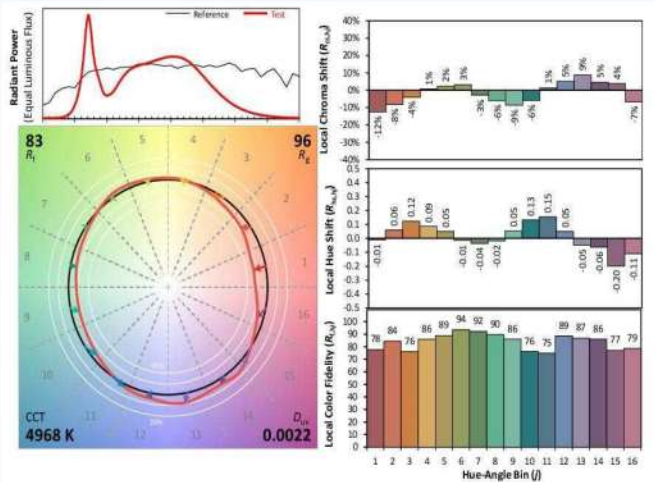


LED VAPOR PROOF 2FT

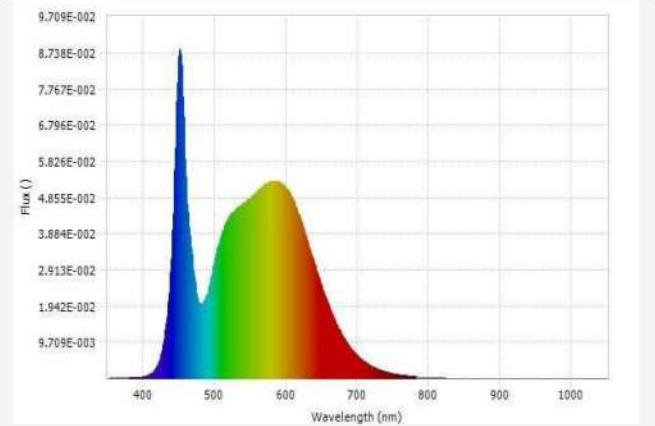
PHOTOMETRIC INFORMATION

Lamp Output: Luminous Flux(lm): 3322.4
 Beam Angle (50%): Horizontal: 108.7°, Vertical: 97.1°
 Input Wattage: 24.946
 CCT (K): 4968
 Luminous Efficacy (lm/W): 133.18

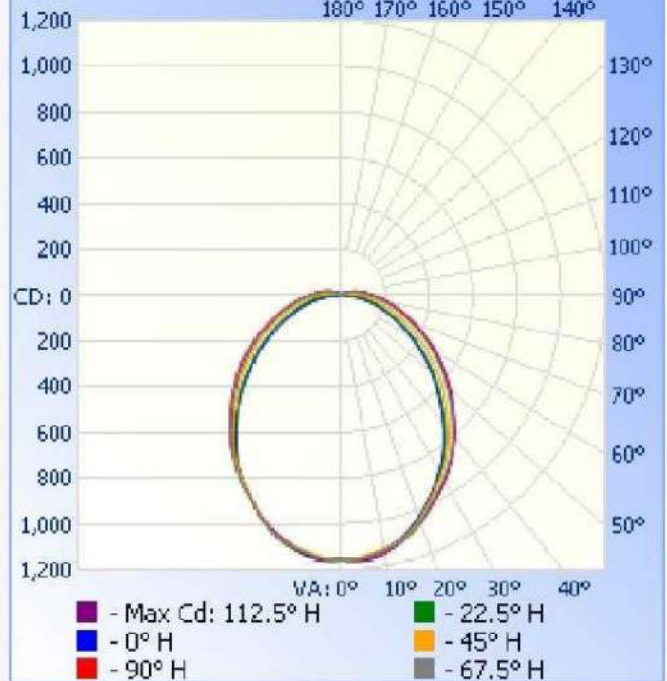
COLOR RENDITION REPORT



SPECTRUM



POLAR CANDELA DISTRIBUTION



ISOFOOTCANDLE PLOT

