

Type IC 4" Slim Round LED Panel Lights

(5CCT)

Job Information			
Project Name			
Location			
Quantity		Date	
Contact		Phone	



Specifications	
Cut-Out Size	4 inch
Wattage	9 watts
Input Volatge	AC120V,60Hz
Beam Angle	120°
Light Sourece	SMD LED
Color Temperature	27K-30K-40K-50K-60K
CRI	80Ra
Lumens Output	700±5%
Lumen Efficiency	80lm/w
Halogen Equiv.	65 watts
Dimmable	100%-10% (110V only)
Dimming Tech.	Triac dimming
Cerification	cETLus,Energy Star
Power Factor	>0.9
Projected Life	50,000hrs at 70% Light Output
Warranty	3 years
Approved Location	Damp Locations
IC Rated	Yes
Air Tight	Yes



Housing
Durable die-casting aluminum lamp housing with excellent heat dissipation, provide maximum airflow for the SMD LED light source.

LED Characteristics
This fixture contains SMD2835 LED module that offer high light color uniformity, 9 watts up to 700 lumens;

Dimming
This panel light is dimmable from 100% down to 10% smoothly, works with the majority of standard triac dimmers like Lutron/leviton, etc. Please contact us for compatible dimmer list.

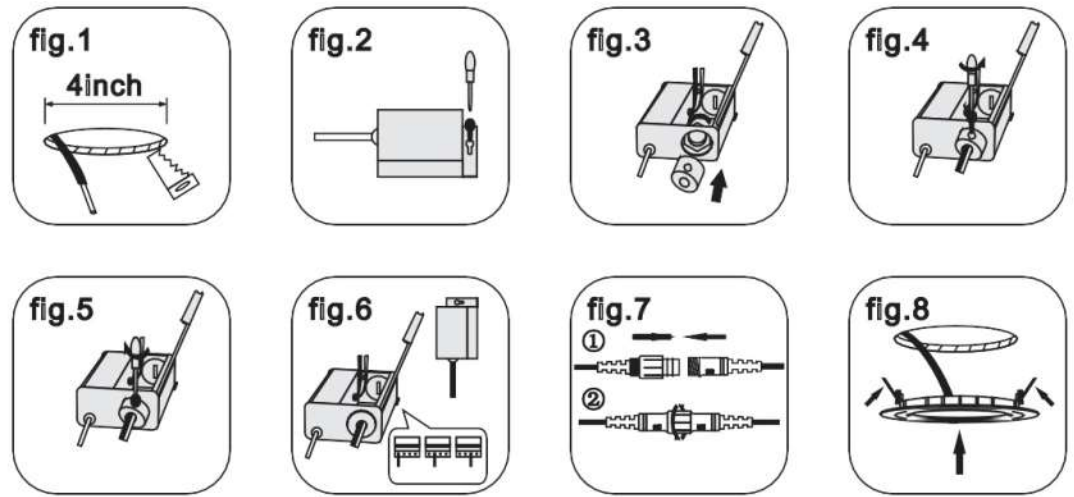
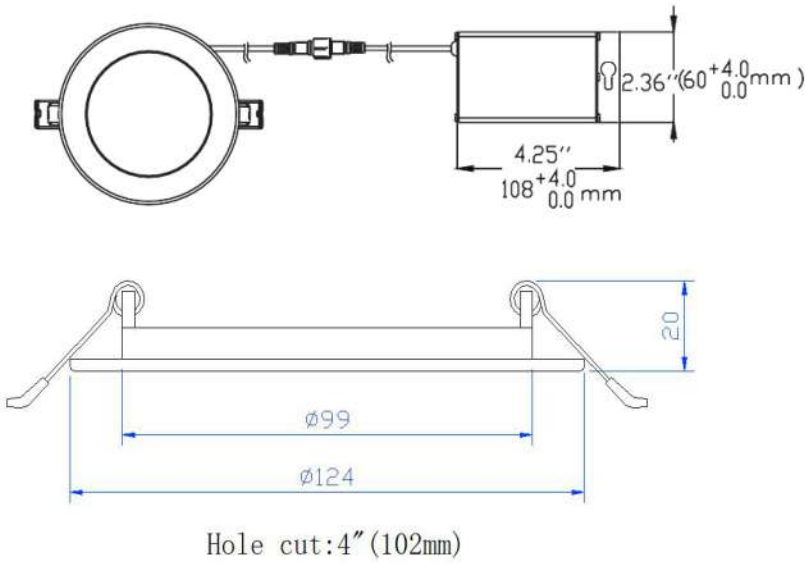
Mounting
Includes two spring loaded clips to attached to any ceiling material. Easy recessed installation without needing a stand pot light can.

LED Driver
Iron metal driver box with junction box and a reliable isolated constant current dimmable class II electronic LED driver inside.

Special Features
CCT Adjustable function - 5 light color in one light.

Version A: Select a color temperature from warm white, nature white, cool white by using the DIP switch on the driver box.

Version B: Adjust the color temperature by switch on and switch off the fixture quickly within 1 seconds to change the light color circularly among warm white, nature white and cool white.



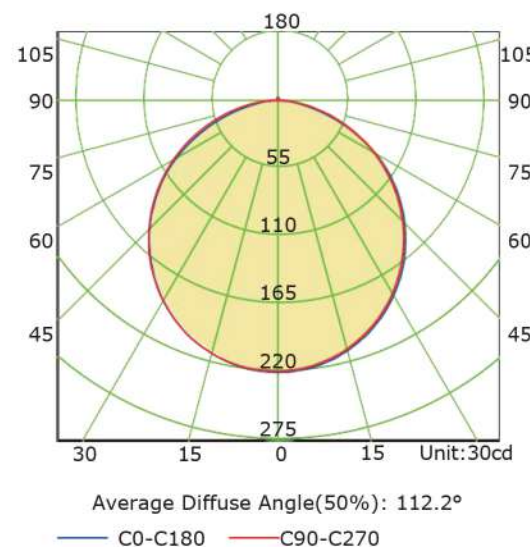
Ordering Guide

GLPL-P4-B9

Color Temperature
DIP (DIP Switch CCT Adjustable)
OF (On/Off CCT Change)

Housing Color
WH: White
BK: Black

Luminous Intensity Distribution Curve



Illuminance at a Distance

Dist(m)	Enadir(lx)	Dh/Dv B(m)	S B(sq.m)	Eav B(lx)
1.0	220.35	2.98/2.98	7.0	36.26
		10.61/13.18	122.3	0.90
2.0	55.09	5.95/5.96	27.9	9.06
		21.23/26.36	489.4	0.23
3.0	24.48	8.93/8.94	62.7	4.03
		31.84/39.54	1101.1	0.10
4.0	13.77	11.90/11.92	111.5	2.27
		42.46/52.72	1957.5	0.06
5.0	8.81	14.88/14.91	174.2	1.45
		53.07/65.90	3058.6	0.04
6.0	6.12	17.85/17.89	250.8	1.01
		63.69/79.07	4404.4	0.03
7.0	4.50	20.83/20.87	341.4	0.74
		74.30/92.25	5994.9	0.02
8.0	3.44	23.80/23.85	445.9	0.57
		84.92/105.43	7830.1	0.01
9.0	2.72	26.78/26.83	564.3	0.45
		95.53/118.61	9910.0	0.01
10.0	2.20	29.75/29.81	696.7	0.36
		106.15/131.79	12234.5	0.01

Dv Beam Angle(B): H112.2 V112.3 Field Angle(F): H158.7 V162.7