

# LED Wall Pack



## Features

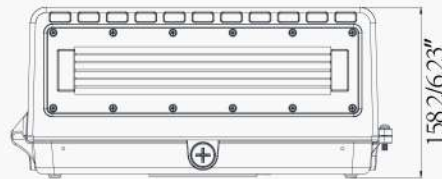
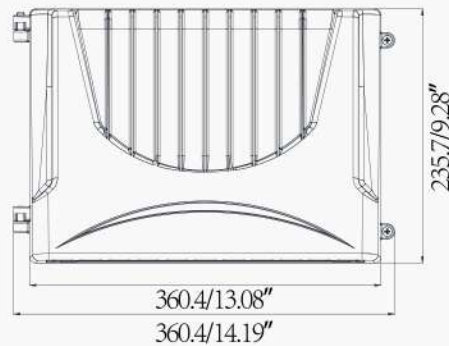
- Adjustable Power and CCT
- 0-10V dimming system with dim-to-off voltage threshold (0.1V to 0.5V)
- Surge Protected
- Flicker free ( $\leq 10\%$ )
- IP65 wet location rating



## Specifications

<b>Input</b>	AC 120-347V 50-60Hz
<b>CRI</b>	>80
<b>Power Factor</b>	>0.9
<b>Operating Temperature</b>	-40-45°C (-40-113°F)
<b>Operating Location</b>	Wet (IP65)
<b>Materials</b>	Die-casting Aluminum+PC lens
<b>Finish</b>	Grey
<b>Certification</b>	cULus, DLC
<b>Warranty</b>	5 Years

## Dimensions Size unit: mm/inch



## Specification Guide

Watt	Lumen	Efficacy(LM/W)	CCT (K)	Dimming
60/80/100	7800/10400/13000	130	3000/4000/5000	0-10V Dimming

# LED Wall Pack

## Photometric

