

LED Light Panel

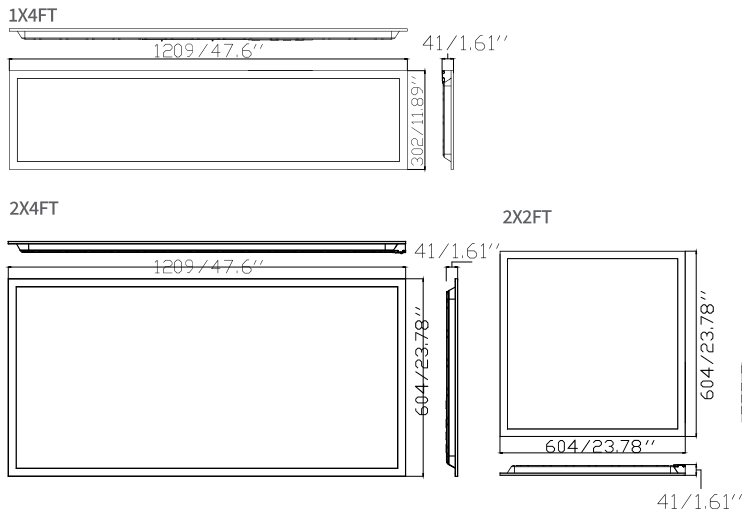


Features

- Adjustable Power and CCT
- Damp location and IC rated
- Flicker free (≤10%)
- Drywall recessed mounting kit and surface mounting kit available
- Long lifespan L70>100,000 hours *



Dimensions Size unit: mm/inch



Specifications

Input	AC 120-347V 50-60Hz
CRI	>80
Power Factor	>0.9
Operating Temperature	-20-50°C (-4-122°F)
Operating Location	Damp, IC Rated
Materials	Housing: Steel sheet and extruded aluminum; Lens: Frosted Polystyrene
Finish	White
Certification	cULus, DLC 5.1S
Warranty	5 Years

Accessories Purchase Separately

Surface Mounting Kit



Size	Item#
1'x4'	920153
2'x2'	920154
2'x4'	920155

Drywall Mounting Kit



Size	Item#
1'x4'	920156
2'x2'	920157
2'x4'	920158

Suspended Mounting Aircraft Cable (1.5m)



Size	Item#
For 1'x4'	920165
For 2'x2'	920166
For 2'x4'	920167

Specification Guide

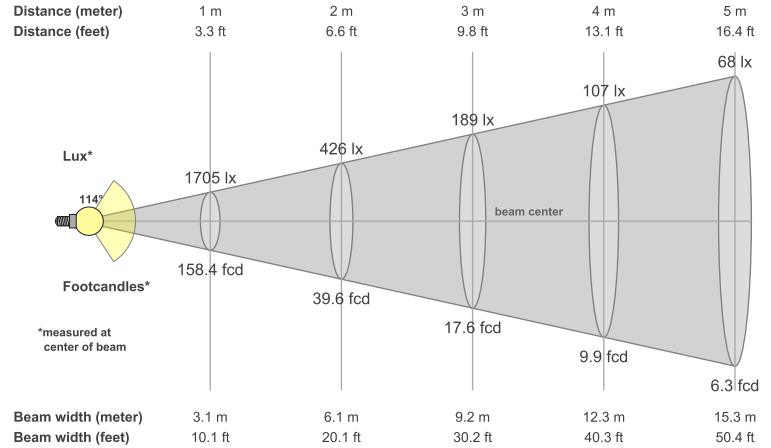
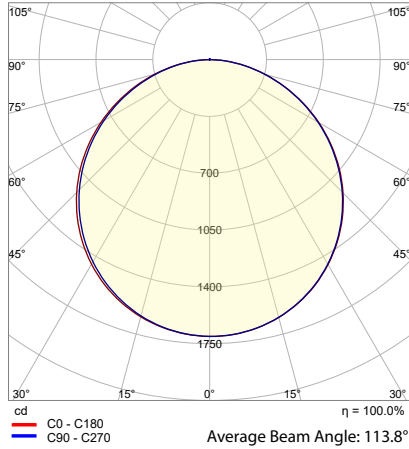
Order Qty	Item ID	Model #	Size	Wattage (W)	Lumens (LM)	Efficacy (LM/W)	Colour Temperature (K)	Dimming	Master Case Qty
	1020201	MRLPN202143C3DZ40WH	1'x4'	25/30/40	3125/3750/5000	125	3500/4000/5000	0-10V Dimming	6
	1020204	MRLPN202223C3DZ40WH	2'x2'	25/30/40	3125/3750/5000	125	3500/4000/5000	0-10V Dimming	6
	1020207	MRLPN202243C3DZ50WH	2'x4'	30/40/50	3750/5000/6250	125	3500/4000/5000	0-10V Dimming	4

*based on IES LM-80 results and TM-21 calculations

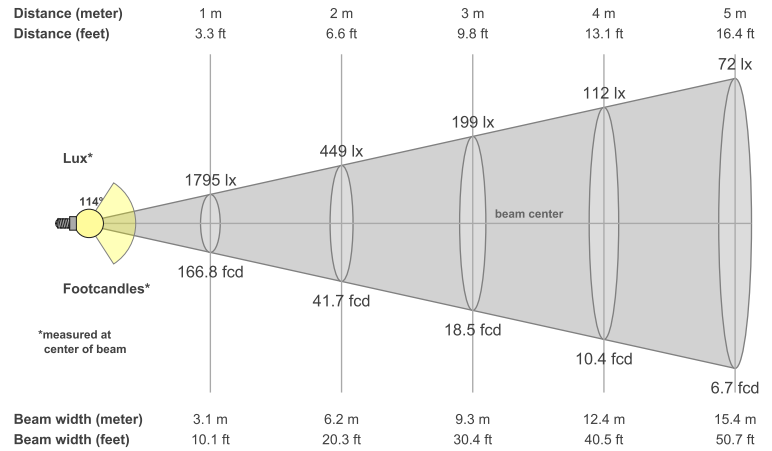
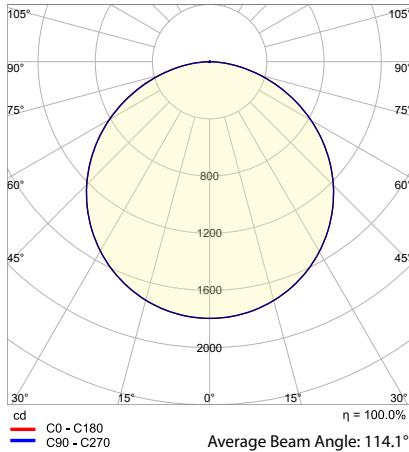
LED Light Panel

Photometric

1ft x 4ft 40W



2ft x 2ft 40W



2ft x 4ft 50W

